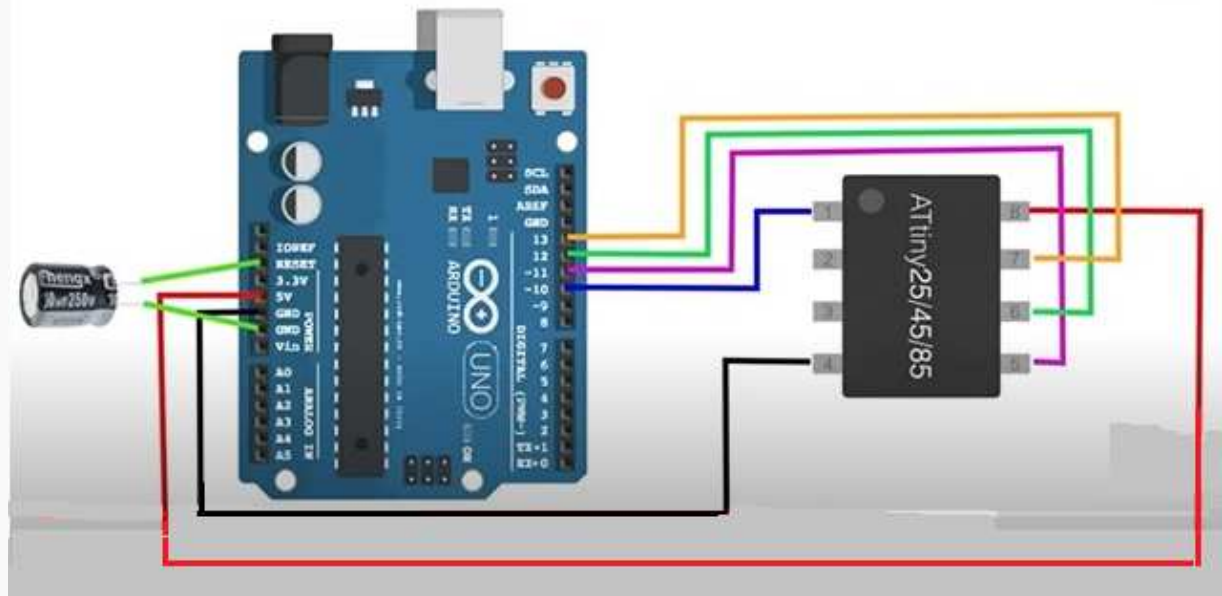


# Atmel ATtiny25

[https://320volt.com/en/attiny25-three-phase-50-hz-generator-circuit/#google\\_vignette](https://320volt.com/en/attiny25-three-phase-50-hz-generator-circuit/#google_vignette)

How To Burn Bootloader On Atmel ATtiny25, ATtiny45, ATtiny85 Using Arduino Uno || Bootloader HEX\



**ATtiny25 - Programming Connection With Arduino**

<https://www.youtube.com/watch?v=clXuAC9D4AQ>

<https://www.youtube.com/watch?v=DTyRkOIL18>

# ATtiny85 Pinout

