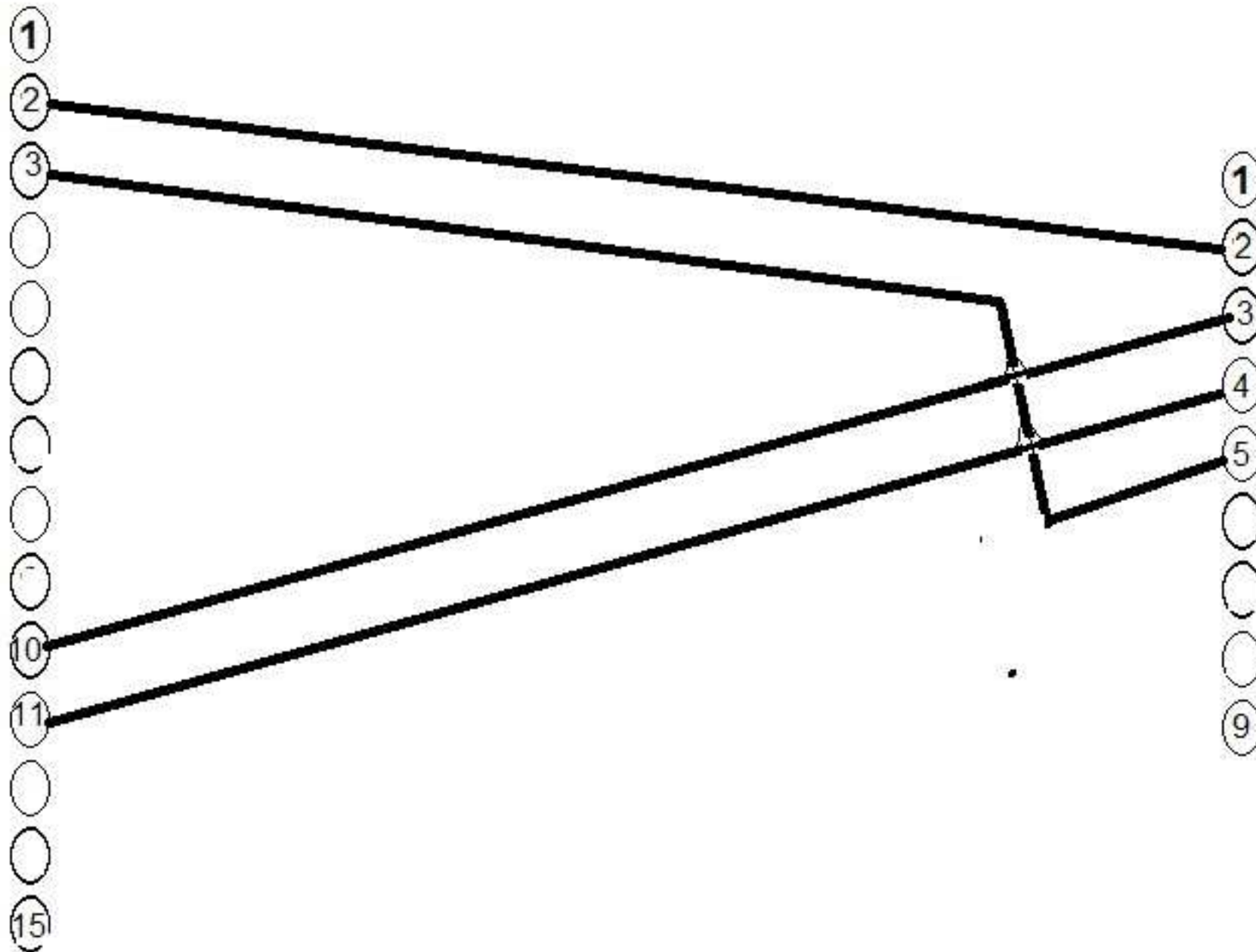


PC Side

DRIVER Side



Inter Connection Between 15 Pin To 9 Pin D Shell Connector With PC To Driver

(By Mr. Adeeb Raza on 24-02-2023)